



## C2M.v2.7.CCB

### 4.1.1.2b C2M.CCB-JDE.Manage GL Procedures

Creation Date: October 26, 2009  
Last Updated: February 11, 2020

**ORACLE®**

**Copyright © 2019, Oracle. All rights reserved.**

**This document is provided for information purposes only and the contents hereof are subject to change without notice.**

**This document is not warranted to be error-free, nor subject to any other warranties or conditions, whether expressed orally or implied in law, including implied warranties and conditions of merchantability or fitness for a particular purpose. We specifically disclaim any liability with respect to this document and no contractual obligations are formed either directly or indirectly by this document. This document may not be reproduced or transmitted in any form or by any means, electronic or mechanical, for any purpose, without our prior written permission. Oracle, JD Edwards, PeopleSoft, and Siebel are registered trademarks of Oracle Corporation and/or its affiliates. Other names may be trademarks of their respective owners.**

---

## Contents

BRIEF DESCRIPTION .....	4
BUSINESS PROCESS MODEL PAGE 1 .....	5
BUSINESS PROCESS MODEL PAGE 2 .....	6
DETAIL BUSINESS PROCESS MODEL DESCRIPTION.....	7
TEST DOCUMENTATION RELATED TO THE CURRENT PROCESS.....	12
DOCUMENT CONTROL .....	13
ATTACHMENTS:.....	14
<i>GL Configuration</i> .....	14

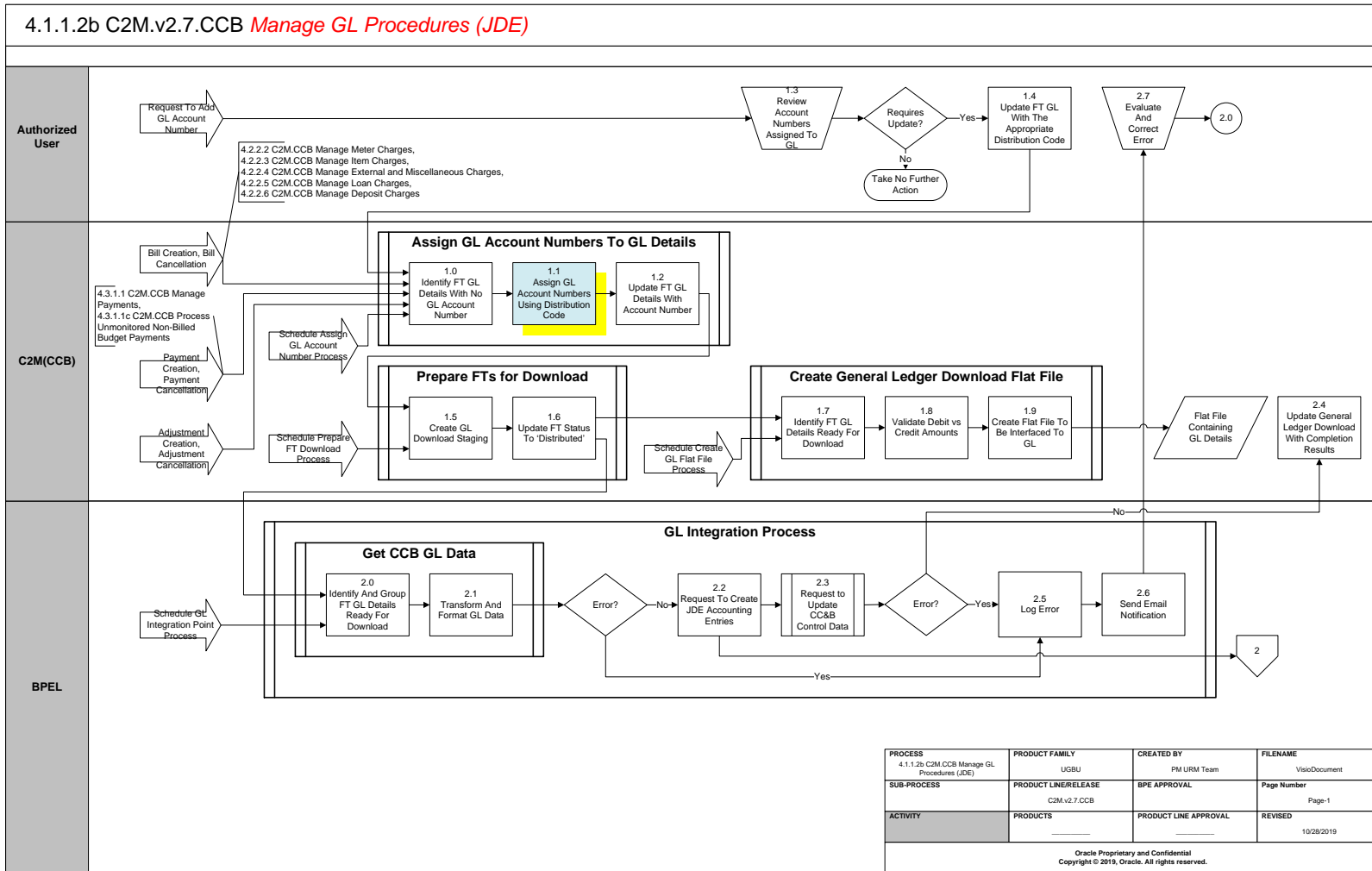
---

## Brief Description

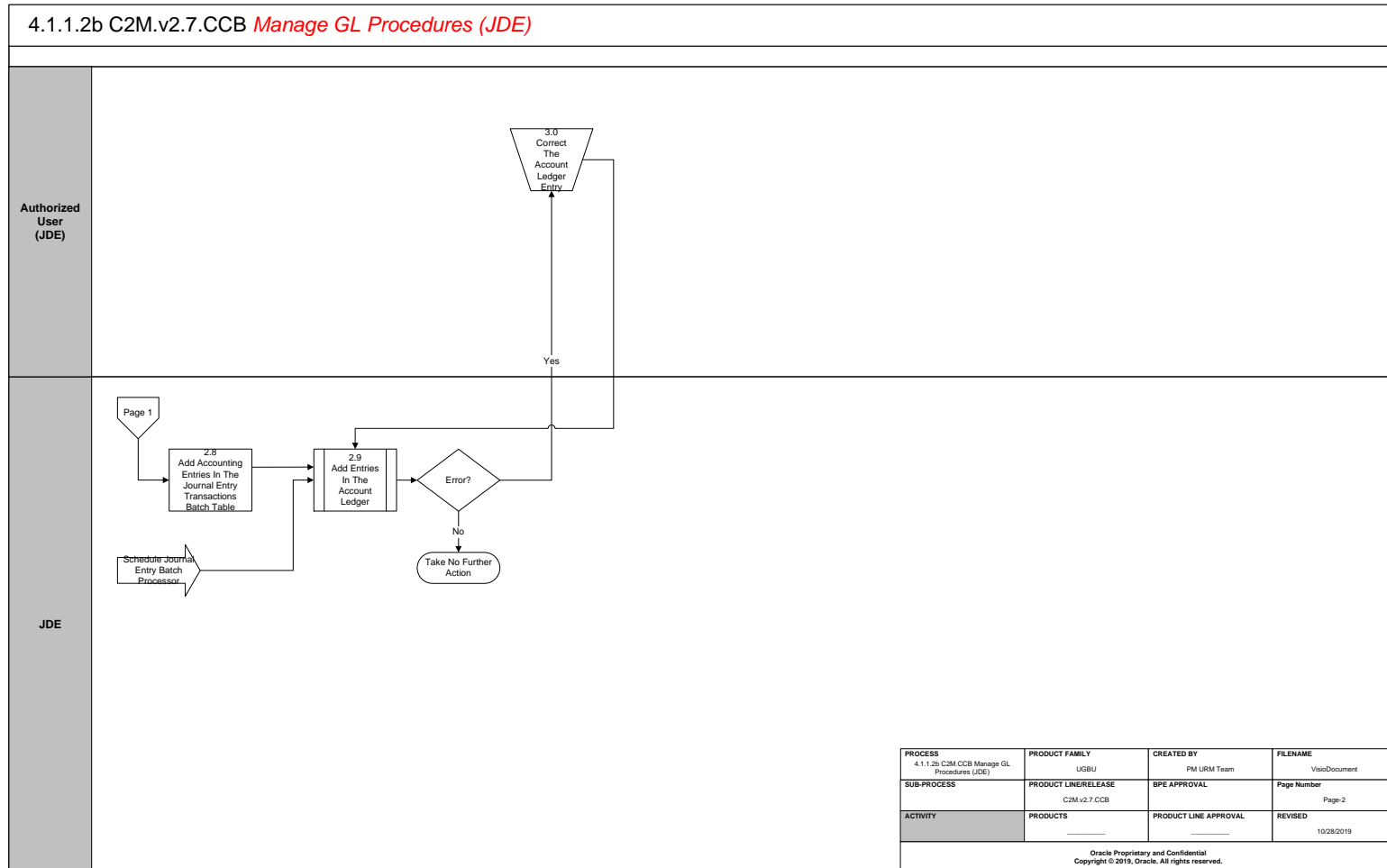
**Business Process:** 4.1.1.2b C2M.CCB-JDE.Manage GL Procedures  
**Process Type:** Sub Process  
**Parent Process:** 4.1.1 C2M.CCB Develop Financial Procedures  
**Sibling Processes:** 4.2.2.2 C2M.CCB Manage Meter Charges, 4.2.2.3 C2M.CCB Manage Item Charges, 4.2.2.4 C2M.CCB Manage External and Miscellaneous Charges, 4.2.2.5 C2M.CCB Manage Loan Charges, 4.2.2.6 C2M.CCB Manage Deposit Charges, 4.3.1.1 C2M.CCB Manage Payments

This document describes the process that takes place after various Financial Transactions are generated as a result of Billing, Payments or any other financial activity in C2M(CCB) and are required to be posted in the company's General Ledger, being maintained through Oracle JD Edwards EnterpriseOne Financial Management.

# Business Process Model Page 1



# Business Process Model Page 2



## Detail Business Process Model Description

### 1.0 Identify FT GL details with no Account Number      **Group: Assign GL Account Numbers to GL Details**

**Actor/Role:** C2M(CCB)

**Description:**

As a result of any bills, adjustments or payments made, Financial Transactions are created. Each of the Financial Transaction associated to the sibling process has its own GL details. See sibling processes for details.

The first step is to select GL details with no account numbers.

**Customizable process N**      **Process Name:**

GLASSIGN - Populates GL_ACCT on CI_FT_GL
--

### 1.1 Assign GL Account Number      **Group: Assign GL Account Numbers to GL Details**

**Actor/Role:** C2M(CCB)

**Description:**

The process assigns GL account numbers to the GL details associated with financial transactions.

Each of the generated FT GL references a Distribution Code. Every Distribution Code references a GL assignment algorithm. The default is to use the GL Account associated with the Distribution Code.

**Process Plug-in enabled Y**      **Available Algorithm:**

C1-FGLCNSTR-D – Get GL account from the on distribution code
--

**Customizable process N**      **Process Name:**

GLASSIGN - Populates GL_ACCT on CI_FT_GL
--

**Configuration required Y**      **Entities to Configure:**

SA Type
Distribution Code

### 1.2 Update FT GL with Account Number      **Group: Assign GL Account Numbers to GL Details**

**Actor/Role:** C2M(CCB)

**Description:**

This step is executed automatically. The GL details are updated with the appropriate account number.

**Customizable process N**      **Process Name:**

GLASSIGN - Populates GL_ACCT on CI_FT_GL
--

**1.3 Review Account Numbers assigned to GL****Actor/Role:** CSR or Authorized User (C2M(CCB))**Description:**

Although GL Account Numbers are automatically assigned, the CSR or Authorized User reviews the FT GL details and identifies the need to override the assigned account number, in cases of exceptions or for control purposes. CSR or Authorized User can update GL Distribution Codes only when FT GL has Status 'Generated' or 'Modified'. Once FT GL records have been interfaced to GL system Distribution codes in the FT GL records cannot be changed.

**1.4 Update FT GL with the correct Account Number****Actor/Role:** CSR or Authorized User (C2M(CCB))**Description:**

CSR or Authorized User updates the FT GL with a new Account Number, if required.

**1.5 Create GL Download Staging      **Group: Prepare FTs for Download******Actor/Role:** C2M(CCB)**Description:**

The process selects all FT GL records that: has Distribution Dates within the date that this process is executed, has a financial transaction status of either 'Generated' or 'Modified' and has GL account numbers. Each of the select FT GL detail is added in the staging table for download. And each of the download staging record is stamped with a batch process ID and run number.

<b>Customizable process</b> N	<b>Process Name:</b>	<input type="text" value="GLS - Create GL download staging"/>
-------------------------------	----------------------	---

<b>Configuration required</b> Y	<b>Entities to Configure:</b>	<input type="text" value="Installation Options - Financial"/>
---------------------------------	-------------------------------	---

**1.6 Update FT status to 'Distributed'      **Group: Prepare FTs for Download******Actor/Role:** C2M(CCB)**Description:**

The process updates the Financial Transaction to 'Distributed' status. At this point, no updates can be made to the FT GL details.

<b>Customizable process</b> N	<b>Process Name:</b>	<input type="text" value="GLS - Create GL download staging"/>
-------------------------------	----------------------	---

**1.7 Identify FT GL Details ready for download      **Group: Create General Ledger Download Flat File******Actor/Role:** C2M(CCB)**Description:**

All records in the staging table ready for download are selected for processing.



Customizable process N      **Process Name:** GLDL - GL download extract

### 1.8 Validate Debit vs Credit Amount    Group: Create General Ledger Download Flat File

**Actor/Role:** C2M(CCB)

**Description:**

Extra validation is performed to ensure that the Debit and Credit amounts match.

Note: It is very rare that this process results in an error. If error occurs, the CSR or Authorized User evaluates and resolves the error.

Customizable process N      **Process Name:** GLDL - GL download extract

### 1.9 Create Flat File to be interfaced to GL      Group: Create General Ledger Download Flat File

**Actor/Role:** C2M(CCB)

**Description:**

At the end of the GL download extract process, a flat file is created.

Customizable process N      **Process Name:** GLDL - GL download extract

### 2.0 Identify and group FT GL Details ready for Download      Group: Get C2M(CCB) GL Data

**Actor/Role:** BPEL

**Description:**

The first task in the GL Integration is to extract all FT GL Data generated by C2M(CCB). These are data stored in the FT GL Download staging table as a result of running C2M(CCB) process GLS. This process reads the C2M(CCB) Batch Job Table to check for the latest Batch Job ID and Batch Job Status and this will be the criteria in selecting the FT GL data to process.

Customizable process N      **Process Name:** GetCCBGLData  
Note: invoked from CCBToJDEGLBPELProcess

### 2.1 Transform and Format GL Data      Group: Get C2M(CCB) GL Data

**Actor/Role:** BPEL

**Description:**

The extracted FTs are consolidated and transformed into the GL Data format based on the mapping XSLT.

Note: It is important for both C2M(CCB) and JD Edwards EnterpriseOne Financial Management to have been initially configured for the integration to be successful. Please refer to attachment for required configuration.

Customizable process N

Process Name:

GetCCBGLData Note: invoked from CCBToJDEGLBPELProcess
--

## 2.2 Request to Create JDE Accounting Entries Group: GL Integration Process

Actor/Role: BPEL

Description:

If no exceptions occur during data translation, BPEL loads the formatted GL data into the JD Edwards Journal Entry Transactions Batch Table (F0911Z1).

Customizable process N

Process Name:

CCBToJDEGLBPELProcess
-----------------------

## 2.3 Request to Update C2M(CCB) Control Data Group: GL Integration Process

Actor/Role: BPEL

Description:

BPEL updates the C2M(CCB) Batch Run Number to indicate that the FT GL Data have been extracted and loaded to JD Edwards successfully.

Customizable process N

Process Name:

UpdateCCBGLControlTable Note: invoked from CCBToJDEGLBPELProcess
---

## 2.4 Update General Ledger Download with completion results

Actor/Role: C2M(CCB)

Description:

Batch Run Number is updated for the GL Download Batch Process and this will be stamped on the next set of GL Details to be downloaded.

## 2.5 Log Error Group: GL Integration Process

Actor/Role: BPEL

Description:

If errors occur during extraction of the Financial Transactions from Oracle Utilities Customer Care and Billing tables or during loading these transactions into Oracle JD Edwards EnterpriseOne Financial Management table, BPEL inserts the error into an error log table.

Customizable process N

Process Name:

CCBToJDEGLBPELProcess
-----------------------

## 2.6 Send Email Group: GL Integration Process

Actor/Role: BPEL

Description:

Error notification process, if configured, will notify users by email of an error and the details associated with that error condition.

Note: No user interface is currently provided for the Error Log Table.

**Customizable process N**      **Process Name:**     

**2.7 Evaluate and Correct Error**

**Actor/Role:** CSR or Authorized User (C2M(CCB))

**Description:**

The recipient of the email looks through the information sent in the email detailing the records with error. Error correction is done manually.

**2.8 Add Accounting Entries in the Journal Entry Transactions Batch Table**

**Actor/Role:** JD Edwards

**Description:**

Data processed by BPEL is added in the Journal Entry Batch Table. This is the table that holds all accounting data imported from other systems into JD Edwards EnterpriseOne Financial Management GL.

**2.9 Add Journal Entries in the Account Ledger Group: Journal Entry Batch Processor**

**Actor/Role:** JD Edwards

**Description:**

This process validates and converts the import data into Journal Entries within the GL application.

Note: This process may be invoked manually or by using the JD Edwards EnterpriseOne Financial Management process scheduler.

**Customizable process N**      **Process Name:**     

**3.0 Correct the Account Ledger Entry**

**Actor/Role:** CSR or Authorized User (JDE)

**Description:**

CSR or Authorized user manually corrects the entries not successfully in the Account Ledger table and reruns the Journal Entry Batch Processor.

---

## Test Documentation related to the Current Process

ID	Document Name	Test Type

## Document Control

### Change Record

Date	Author	Version	Change Reference
10/26/2009	Rochelle Cister	Draft 1a	Initial Version.
10/21/2010	Geir Hedman		Updated Title and Content page
11/03/2010	Yoko Iwahiro		Update algorithm
2/8/2011	Geir Hedman		Updated Document and Visio
1/9/2014	Muhssin Suliman		CC&B v2.4 Update
01/27/2014	Galina Polonsky		Reviewed, Approved
08/20/2015	Jane Cuenco Tan		Updated Document and Visio
09/08/2014	Galina Polonsky		Reviewed, Approved
08/16/2017	Ekta Dua		Updated Document and Visio to v2.6
09/18/2017	Genti Kondili		Update process flows and related details pertaining to the following roles:User (C2M(CCB) and C2M(CCB)
09/29/2017	Galina Polonsky		Reviewed, Approved
06/03/2019	Satya Kalavala		Updated format for 2.7

## Attachments:

### GL Configuration



GL Configuration for  
CC&B - JDE.doc